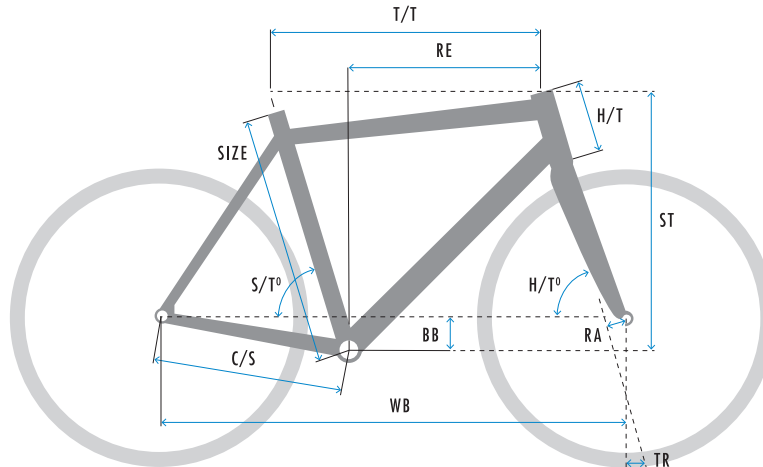


COLMARO SPORTS

SPECIFICATIONS

WEIGHT	9,8 kg
SIZES	♠ XS-S-M-L-XL
COLOUR	Off Black matt
FRAME	Smooth TIG-welded frame. Exclusive hydroformed tubes manufactured in triple-buttet aluminium. Equipped with: Tapered head tube with integrated 1 $\frac{1}{8}$ "/1 $\frac{1}{4}$ " headset, Internal cables, Press Fit BB, exclusive KOGA dropouts for 12mm thru axle with integrated replaceable rear derailleur hanger and hidden mudguard mounts.
FRONT FORK	KOGA full carbon with 12x100mm dropouts, internal cable routing and hidden mudguard mounts
HEADSET	Industrial bearing - Integrated in frame
HANDLEBAR	KOGA Flat Bar - oversized double butted alloy
STEM	KOGA adjustable
HANDLEBAR TAPE/GRIPS	KOGA Sport
DISC-/HYDRAULIC BRAKE SET (F)	Tektro R310 hydraulic disc brake, flat mount type
DISC-/HYDRAULIC BRAKE SET (R)	Tektro R310 hydraulic disc brake, flat mount type
ROTOR FRONT	Tektro 160mm
ROTOR REAR	Tektro 140mm
SHIFT LEVER (R)	Shimano Tiagra 4700
SHIFT LEVER (L)	Shimano Tiagra 4700
CHAIN	KMC X10EL
CRANK SET	Shimano Tiagra 4700 50-39-30T for 10-speed
BOTTOM BRACKET	Shimano Press Fit
CASSETTE	Shimano HG-500 10 speed - 12-28T
REAR DERAILLEUR	Shimano Tiagra 4700 10-speed
FRONT DERAILLEUR	Shimano Tiagra 4700 for 3x10-speed
FRONT HUB	KOGA Disc for 12x100 Thru Axle
REAR HUB	KOGA Disc for 12x142 Thru Axle
TIRE (F)	Continental Contact Speed 28-622
TIRE (R)	Continental Contact Speed 28-622
TUBE	Schwalbe ExtraLight
RIM (F)	Mach1 Pulse Disc
RIM (R)	Mach1 Pulse Disc
SPOKES F1	Mach1 Pro
SADDLE	Selle Royal Asphalt
SEAT POST	KOGA alloy 27,2mm



GEOMETRY

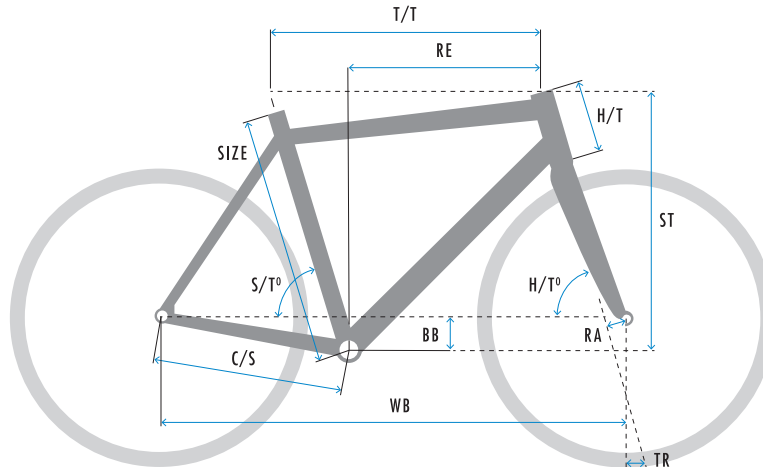
♠ GENTS

SIZE	T/T	C/S	WB	BB	RA	H/T°	S/T°	TR	H/T	RE	ST
XS	520	425	990	67,0	45	71,5	74,5	65	115	377	516
S	532	425	994	67,0	45	72,0	74,0	62	135	377	536
M	547	425	995	67,0	45	72,5	73,0	59	155	377	557
L	565	425	994	67,0	45	73,0	72,5	56	175	383	577
XL	585	425	1018	67,0	45	73,0	72,0	56	195	392	596

COLMARO SPORTS

SPECIFICATIONS

WEIGHT	10.0 kg
SIZES	✂ XS-S-M-L
COLOUR	Silver Blue matt
FRAME	Smooth TIG-welded frame. Exclusive hydroformed tubes manufactured in triple-buttet aluminium. Equipped with: Tapered head tube with integrated 1 $\frac{1}{8}$ "/1 $\frac{1}{4}$ " headset, Internal cables, Press Fit BB, exclusive KOGA dropouts for 12mm thru axle with integrated replaceable rear derailleur hanger and hidden mudguard mounts.
FRONT FORK	KOGA full carbon with 12x100mm dropouts, internal cable routing and hidden mudguard mounts
HEADSET	Industrial bearing - Integrated in frame
HANDLEBAR	KOGA Flat Bar - Oversized double butted alloy
STEM	KOGA adjustable
HANDLEBAR TAPE/GRIPS	KOGA 2K Sport
DISC-/HYDRAULIC BRAKE SET (F)	Tektro R310 hydraulic disc brake, flat mount type
DISC-/HYDRAULIC BRAKE SET (R)	Tektro R310 hydraulic disc brake, flat mount type
ROTOR FRONT	Tektro 160mm
ROTOR REAR	Tektro 140mm
SHIFT LEVER (R)	Shimano Tiagra 4700
SHIFT LEVER (L)	Shimano Tiagra 4700
CHAIN	KMC X10EL
CRANK SET	Shimano Tiagra 4700 50-39-30T for 10-speed
BOTTOM BRACKET	Shimano Tiagra Press Fit
CASSETTE	Shimano HG-500 10 speed - 12-28T
REAR DERAILLEUR	Shimano Tiagra 4700 10-speed
FRONT DERAILLEUR	Shimano Tiagra 4700 for 3x10-speed
FRONT HUB	KOGA Disc for 12x100 Thru Axle
REAR HUB	KOGA Disc for 12x142 Thru Axle
TIRE (F)	Continental Contact Speed 28-622
TIRE (R)	Continental Contact Speed 28-622
TUBE	Schwalbe ExtraLight
RIM (F)	Mach1 Pulse Disc
RIM (R)	Mach1 Pulse Disc
SPOKES F1	Mach1 Pro
SADDLE	Selle Royal Asphalt
SEAT POST	KOGA D-form integrated seat post 27.2mm



GEOMETRY

✂ MIXED

SIZE	T/T	C/S	WB	BB	RA	H/T°	S/T°	TR	H/T	RE	ST
XS	520	425	990	67,0	45	71,5	74,5	65	115	377	516
S	532	425	994	67,0	45	72,0	74,0	62	135	377	536
M	547	425	995	67,0	45	72,5	73,0	59	155	377	557
L	565	425	994	67,0	45	73,0	72,5	56	175	383	577